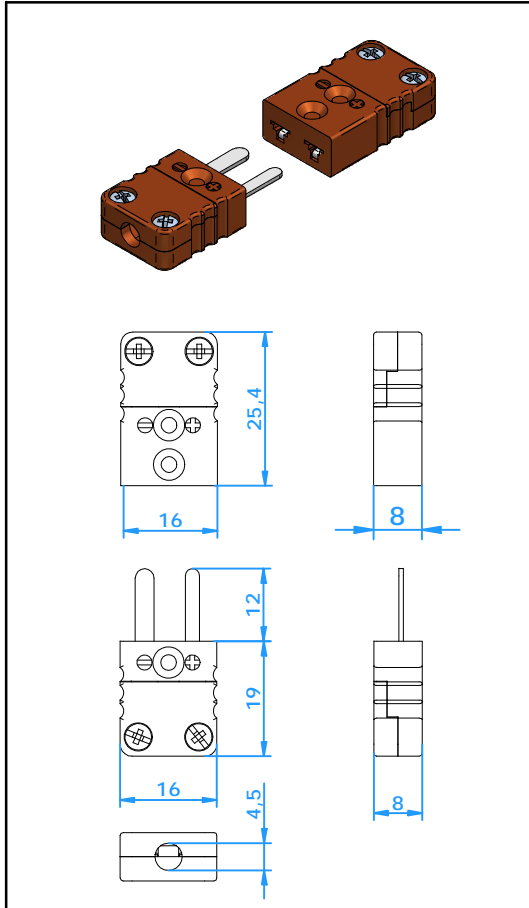




# Connectors

## Connector Miniature High Temperature



### Application

Connector for thermocouple and RTD circuits. Suited for small wires and mineral insulated cables. Thermoset material designed for use at high temperatures.

### Construction

- body of thermoset material with original thermocouple material pins and springloaded inserts.
- Polarized pins ensure proper connection.
- Easy wire connection through sandwich construction.
- Molded barriers prevent short circuit.
- Rugged one body design.

### Wire size

- Accepts wires up to 0,6 mm.
- Maximum cable diameter 4,5 mm.

### Temperature rating

- 350 °C Max.

### Color Code

- Body color brown. Calibration indication printed on cover.

### Accessories

- See separate specification sheet.

Ordering Code Plug: CMPH-x 'x' is Calibration Code (see tabel below)  
Jack: CMJH-x

Calibration Code	E	J	K	N	T	U	R/S	C	B
Compensation material for							Pt13Rh/ Pt	W5Re/ W26Re	Pt6Rh/ Pt30Rh
Material Positive	NiCr	Fe	NiCr	NiCrSi	Cu	Cu <sup>1)</sup>	Cu	CPX	Cu <sup>1)</sup>
Material Negative	CuNi	CuNi	NiAl	NiSi	CuNi	Cu <sup>1)</sup>	Alloy #11	CNX	Cu <sup>1)</sup>

Note: Contacts with a hard nickel- or gold-plating are available, please add "NP" or "GP" after the calibration code