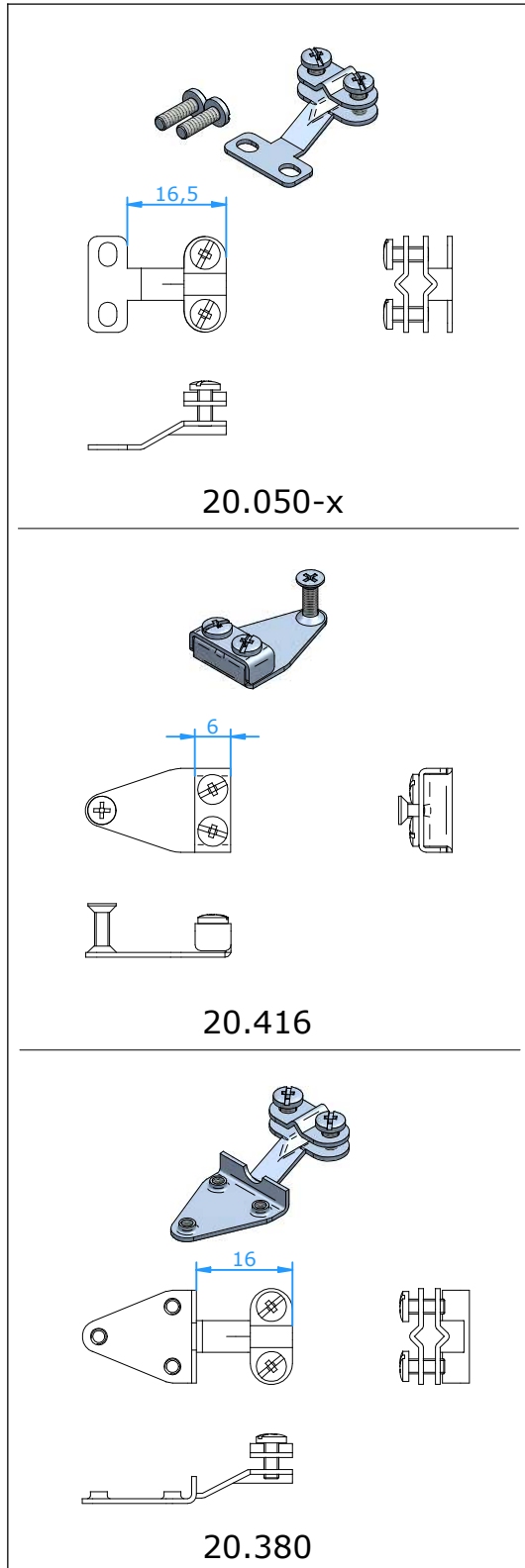




# Accessories

## Miniature Connector Wire Clamp Bracket



### Application

Wire clamp bracket will provide optimum strain relief. Construction allows a large difference in maximum and minimum wire diameter. Compact version especially designed to be used with small wire diameters.

### Construction

All stainless steel, incl stainless steel screws

### Part Nr.

#### 20.050-1 miniature connector

fits on all connectors CMP, CMJ, CMPH, CMJH, CMPT and CMJT

#### 20.050-2 miniature connector ceramic

fits on all connectors CMPC, CMJC

#### 20.050-3 miniature connector duplex

fits on all connectors CMPD, CMJD

#### 20.416 miniature connector (compact version)

fits on all connectors CMP, CMJ, CMPH, CMJH, CMPT and CMJT

#### 20.380 miniature connector ultra high temp

fits on all connectors CMPU, CMJU