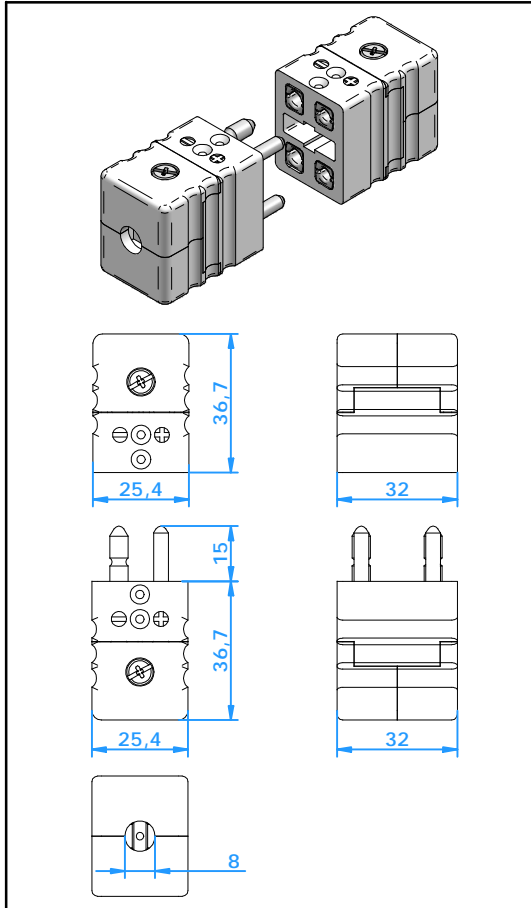




Connectors

Connector Standard Duplex



Application

Connector for thermocouple and RTD circuits. Is very well suited for 4-wire RTD-'s. Solid pin design ensures good contact even in demanding applications. Hollow pin design offers a good quality product at competitive pricing for less frequently used connectors.

Construction

- Glass filled thermoplastic body with original thermocouple material pins and springloaded inserts.
- Polarized pins.
- Central cover screw design for quick wiring.
- Molded barriers prevent short circuit.
- Captive cover screw for easy assembly.
- Connects with standard horizontal and vertical panels.

Wire size

- Accepts wires up to 2,0 mm.
- Maximum cable diameter 8,0 mm.

Temperature rating

- 200 °C Max.

Color Code

- Body color white. Calibration indication printed on connector. Colored dot indication optional.

Accessories

- Crimpinserts and Wire clamp bracket available. For other accessories consult factory.

Ordering Code Plug Solid Pin : CSPD-x x = Calibration Code (See table below)
 Plug Hollow Pin: CSPDL-x
 Jack : CSJD-x

| Calibration Code | E | J | K | N | T | U | R/S | C | B |
|---------------------------|------|------|------|--------|------|----|---------------|----------------|------------------|
| Compensation material for | | | | | | | Pt13Rh/ Pt | W5Re/ W26Re | Pt6Rh/ Pt30Rh |
| Material Positive | NiCr | Fe | NiCr | NiCrSi | Cu | Cu | Cu | CPX | Cu |
| Material Negative | CuNi | CuNi | NiAl | NiSi | CuNi | Cu | Alloy #11 | CNX | Cu |