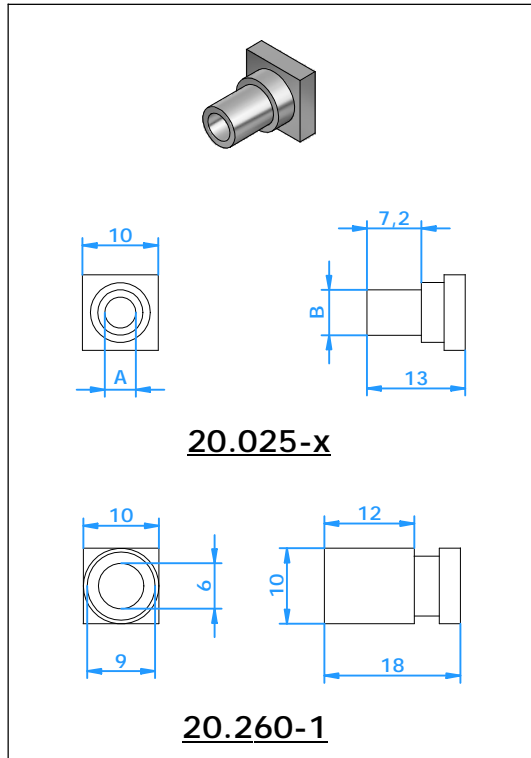




# Accessories

## Standard Connector Crimp-insert



### Application

Crimp-insert can be fitted in the entrance hole of the connector. Designed for soldering or crimping on mineral insulated cable or crimping on insulated wire.

### Construction

Brass machined insert with 0,1 mm tolerance on the cable OD. The adapter fits in all standard connectors.

Part Nr.	A	B
20.025-1	1,10 mm	2,40 mm
20.025-2	1,60 mm	2,40 mm
20.025-3	1,70 mm	2,40 mm
20.025-4	2,10 mm	3,20 mm
20.025-5	2,40 mm	3,20 mm
20.025-6	3,10 mm	4,30 mm
20.025-7	3,30 mm	4,30 mm
20.025-8	4,60 mm	6,00 mm
20.025-9	4,90 mm	6,00 mm
20.025-10	6,10 mm	7,90 mm
20.025-11	6,50 mm	7,90 mm
20.025-12		7,90 mm
20.025-13	5,60 mm	6,50 mm
20.025-14	7,00 mm	7,90 mm
20.025-15	0,90 mm	2,40 mm
20.025-16	4,10 mm	6,00 mm

20.260-1	9,0 mm	10,00 mm
----------	--------	----------