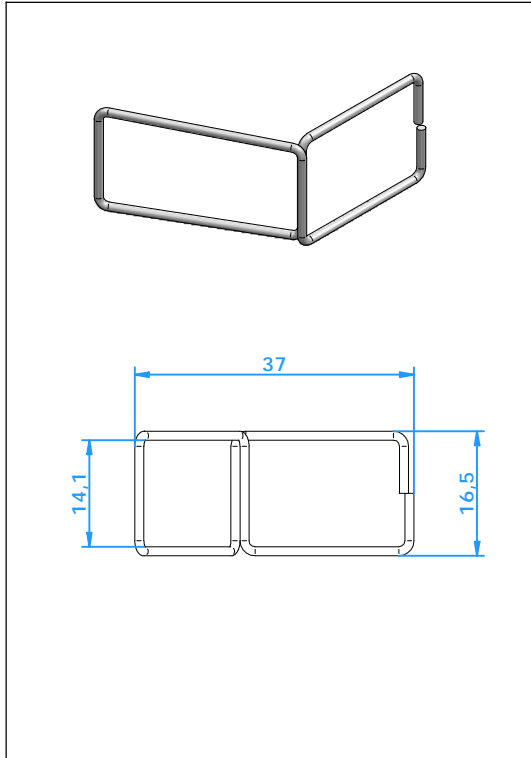




Accessories

Standard Connector Locking Clip



Application

In order to prevent accidental disconnection a locking clip can be used.

Construction

- Stainless Steel clip
- Can be placed without any tools

Part Nr. 20.269