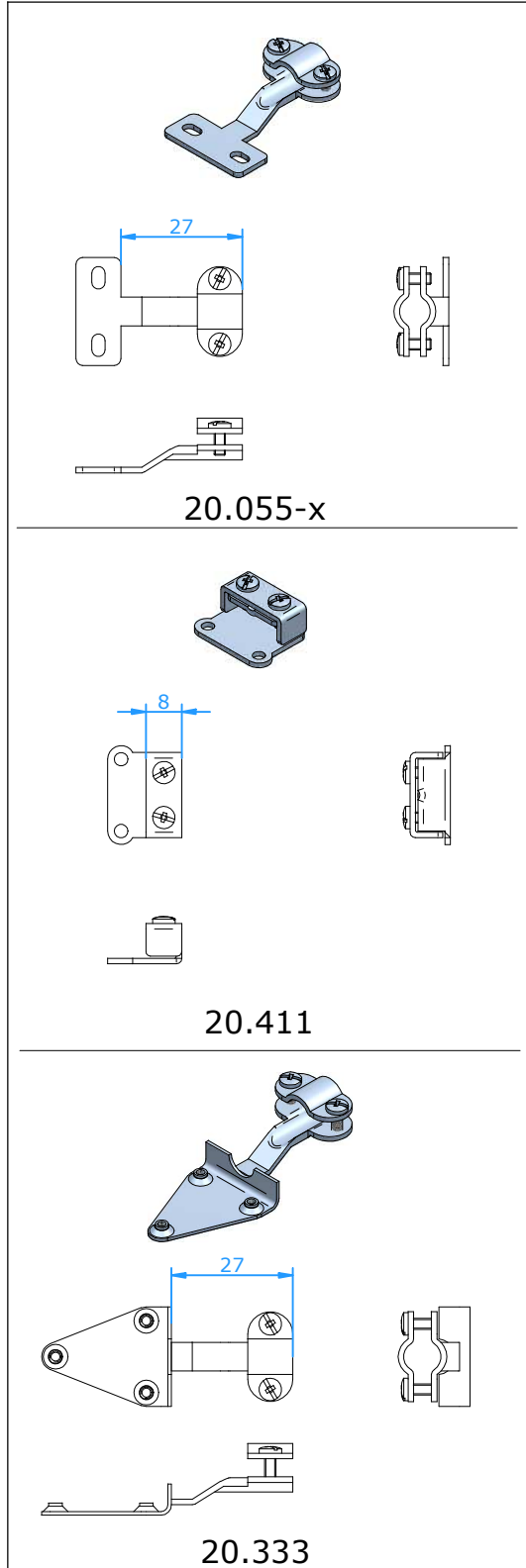




Accessories

Standard Connector Wire Clamp Bracket



Application

Wire clamp bracket will provide optimum strain relief. Construction allows a large difference in maximum and minimum wire diameter. Compact version designed especially to be used with small wire diameters.

Construction

All stainless steel, incl stainless steel screws

Part Nr.

20.055-1 standard connector

fits on all connectors CSP(L), CSJ, CSPH(L), CSJH, CSPQ(L), CSJQ, CSPT(L) and CSJT

20.055-2 standard connector ceramic

fits on all connectors CSPC(L), CSJC

20.055-5 standard connector duplex

fits on all connectors CSPD(L), CSJD

20.055-6 standard connector ceramic quick connect

fits on all connectors CSPCQ(L), CSJCQ

20.411 standard connector (Compact version)

fits on all connectors CSP(L), CSJ, CSPH(L), CSJH, CSPQ(L), CSJQ, CSPT(L) and CSJT

20.333 standard connector ultra high temp

fits on all connectors CSPU(L), CSJU