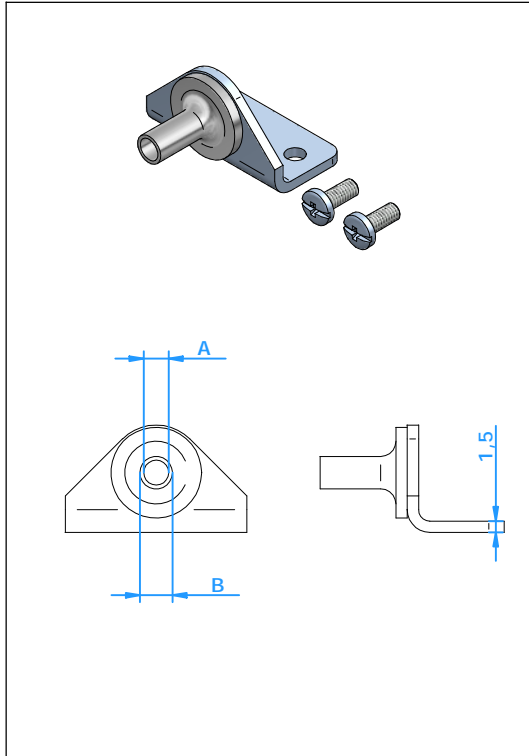




# Accessories

## Standard Connector L-Bracket crimp-adapter



### Application

L-Bracket can be fitted on the connector, the brass crimp-adapter is specially treated to crimp on mineral isolated cable.

### Construction

Stainless steel L-Bracket with brass crimp-adapter, chrome plated.

Part Nr.	Dimension A	Dimension B
20.351-1	1,7 mm – 1/16"	2,4 mm
20.351-2	3,3 mm – 1/8"	4,3 mm
20.351-3	4,9 mm – 3/16"	6,0 mm
20.351-4	6,5 mm – 1/4"	7,9 mm
20.351-5	3,1 mm	4,3 mm
20.351-6	6,1 mm	7,9 mm