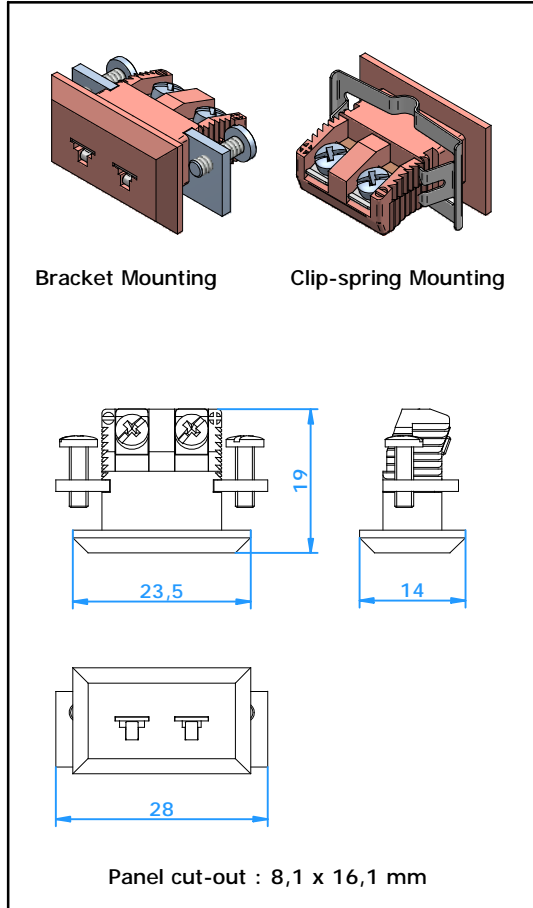




# Panels

## Panel Miniature Insert Flanged



### Application

Panel insert for thermocouple and RTD circuits.

Mounting by means of stainless steel bracket and two screws or with a stainless steel clip-spring. Ideal panelinsert for instrument cases.

### Construction

- Glass filled thermoplastic body with original thermocouple material pins and springloaded inserts.
- Polarized pins ensure proper connection.
- Easy wire connection through sandwich construction.
- Molded barriers prevent short circuit.
- Rugged one body design.
- Polarity indication on body
- Stainless steel bracket and screws for rear panel mounting
- Stainless steel clip-spring for rear panel mounting

### Wire size

- Accepts wires up to 2,0 mm.

### Temperature rating

- 200 °C Max.

### Color Code

- Available in all color code standards. Incl. NFE, BS, JIS, etc.

Ordering Code : **PMI FB-xx**

For last two digits 'xx' see table below

Calibration Code	E	J	K	N	T	U	R/S	C	B
Compensation material for							Pt13Rh/ Pt	W5Re/ W26Re	Pt6Rh/ Pt30Rh
Material Positive	NiCr	Fe	NiCr	NiCrSi	Cu	Cu	Cu	CPX	Cu
Material Negative	CuNi	CuNi	NiAl	NiSi	CuNi	Cu	Alloy #11	CNX	Cu
IEC Color Code									
Color Body	Violet	Black	Green	Pink	Brown	White	Orange	Red	Grey
Code	EI	J1	K1	NI	TI	UI	RI	C	BI
ANSI Color Code									
Color Body	Violet	Black	Yellow	Orange	Blue	White	Green	Red	Grey
Code	EI	J1	KA	NA	TA	UI	RA	C	BI
DIN Color Code									
Color Body		Blue	Green		Brown		White		Grey
Code		JD	KI		TI		RD		BI